

# AIR SUPPLY RING MAIN SYSTEM

## 1. INTRODUCTION

### Fast Fit Air Supply Ring Main System

Install your own workshop compressed air ring main quickly and easily with our fast fit compressed air fittings.

A professional compressed air system can be installed quickly and easily, considerably reducing the need for specialist staff and with extensive disruption and downtime reduced to a minimum.

Lightweight yet strong acetal copolymer fittings and nylon pipe runs make handling and assembly far easier than for an equivalent system in galvanised steel.

The system is:

- Quick to install – save up to 40% in time and cost
- Safe, secure and leak proof
- Simple to reconfigure
- Lightweight and easy to handle
- Corrosion resistant and maintenance free
- Available in 15 and 22mm OD

Simple push action pipe fittings do away with preparing threaded tubes or applying solvents and the installed system is immediately ready for use. Complex pipe and fitting configurations are also assembled more rapidly since the fittings can be disassembled and reconfigured in a flash.



### WARNING!

**This system MUST NOT be used with explosive gases, petroleum spirits or other fuels.**  
It is also not suitable for central heating systems.

## 2. SPECIFICATIONS

### 2.1. Pipe (Nylon 12, Blue)

Pipe OD	15mm	22mm
Length	.3mtr	.3mtr
Max/Min. Working Temperature	+70/-20°C	+70/-20°C
Max. Working Pressure	10 bar(145psi) @ <23°C	10 bar(145psi) @ <23°C
	7 bar(100psi) @ 23-70°C	7 bar(100psi) @ 23-70°C

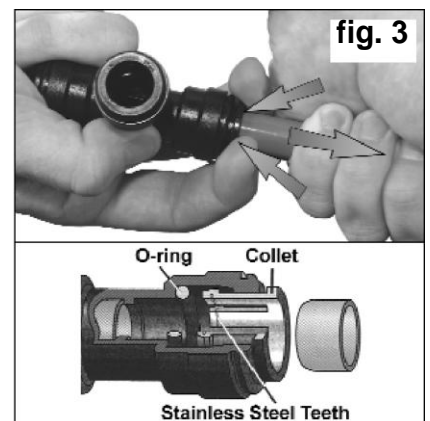
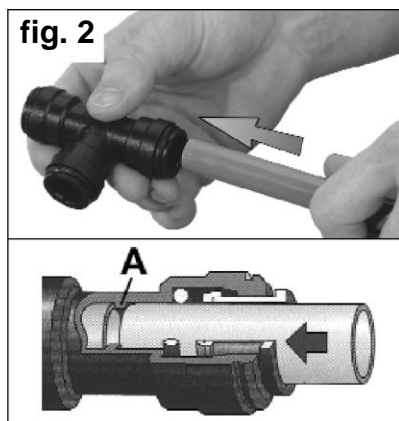
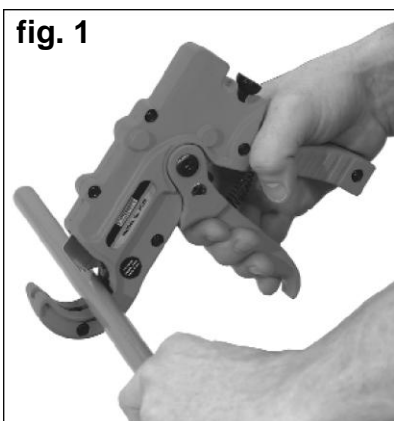
### 2.2. Fittings

Bore	15mm	22mm
Acceptable Pipe OD	14.90-15.05mm	21.90-22.05mm
Max. Torque (threaded fittings)	.3Nm (plastic) 4Nm (metal)	.4Nm (plastic) 5Nm (metal)

Note: Fittings may also be used with plastic and soft metal pipes provided that the outside diameter of the pipe is within the limits shown above and the outer surface is good quality and undamaged.

## 3. JOINTING PROCEDURE

- 3.1. The end of the pipe must be cut square and must be free from burrs and outer surface damage. To achieve this result for every joint use the recommended Sealey Plastic Pipe Cutter PC35 (fig. 1).
- 3.2. Push the end of the pipe fully into the fitting (fig. 2). There is an internal stop in the fitting which the pipe end must contact (fig. 2.A).
- 3.3. Try to pull the pipe from the fitting to check that the joint has 'made' correctly.
- 3.4. To disassemble a joint, press the collet rim down and hold while withdrawing the pipe (fig. 3).



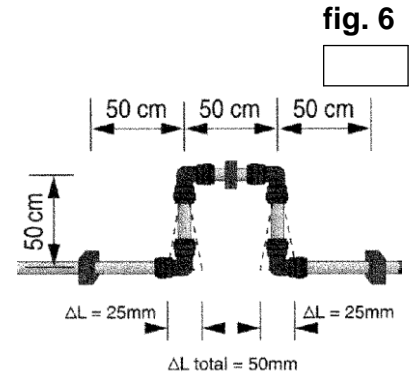
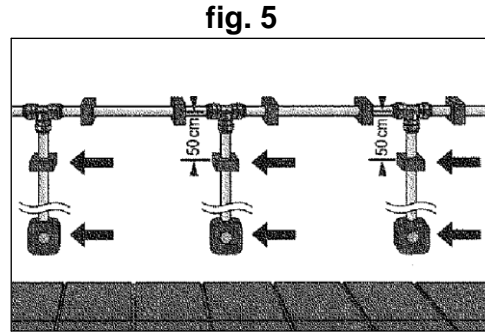
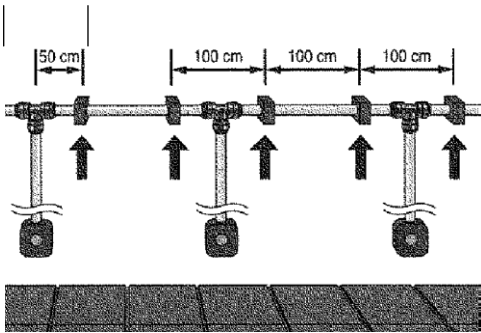
## 4. INSTALLATION

4.1. Clips and clip spacers are available to support the piping (see Section 5) and these should be used within the following parameters:

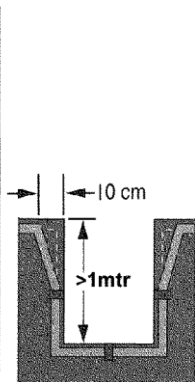
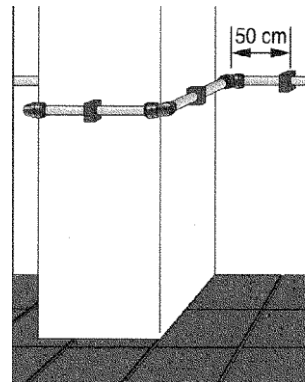
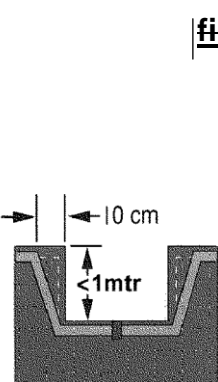
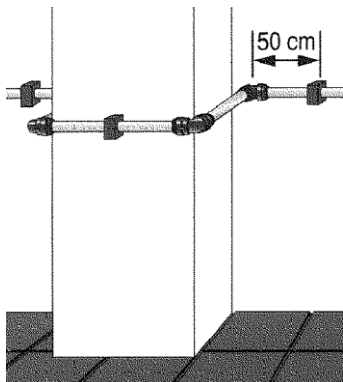
- Distance between fitting centre and clip centre should be 50cm (fig. 4)
- Distance between clip centres should be 100cm (fig. 4)
- Clip horizontal runs first (fig. 4) and then clip vertical runs with the system lightly pressurised (fig. 5). This will ensure that vertical runs are vertical.

**fig. 4** Long pipe runs should include an expansion loop every

25mtr (fig. 6).



4.2. When routing pipe around pillars etc. gaps between the pipe and the pillar must be provided to allow for expansion, as shown in fig. 7.



## 5. SYSTEM COMPONENTS

The Sealey CAS System offers the following components:



**CAS15NP** 15mm x 3mtr Pipe - Pack of 5  
**CAS22NP** 22mm x 3mtr Pipe - Pack of 5



**CAS15SC** 15mm Straight Connector  
Pack of 5

**CAS22SC** 22mm Straight Connector  
Pack of 5



**CAS15EE** 15mm Equal Elbow  
Pack of 5

**CAS22EE** 22mm Equal Elbow  
Pack of 5



**CAS15ET** 15mm Equal Tee - Pack of 5

CAS22ET 22mm Equal Tee - Pack of 5



**CAS15STA** 15mmx1/2\"/>

**CAS22STA** 22mmx3/4\"/>



**CAS15SE** 15mm Stem Elbow  
Pack of 2

**CAS22SE** 22mm Stem Elbow  
Pack of 2



**CAS2215T** 22-15mm Reducing Tee  
Pack of 5



**CAS2215** 22-15mm Reducer  
Pack of 2



**CAS15P** 15mm Black Plug - Pack of 5  
**CAS22P** 22mm Black Plug - Pack of 5



**CAS15SA** 15mmx1/2" BSP Straight Adaptor Pack of 2



**CASPB** Porting Block  
5x1/2" BSP Connections + 3 Blanking Plugs - Pack of 1



**CAS15BSA** 15mmx1/2" BSPT Brass Straight Adaptor - Pack of 1

**CAS22SA** 22mmx3/4" BSP Straight Adaptor Pack of 2

**CAS22BSA** 22mmx3/4" BSPT Brass Straight Adaptor - Pack of 1



**CAS15BWE** 15mmx1/2" BSP  
Brass Wingback Elbow - Pack of 1

**CAS22BWE** 22mmx3/4" BSP Brass Wingback  
Elbow - Pack of 1



**CAS15PC** 15mm Pipe Clip - Pack of 20  
**CAS22PC** 22mm Pipe Clip - Pack of 20



**CASS** Pipe Clip Spacer - Pack of 20



**CAS22WTT** 22mm Water Trap