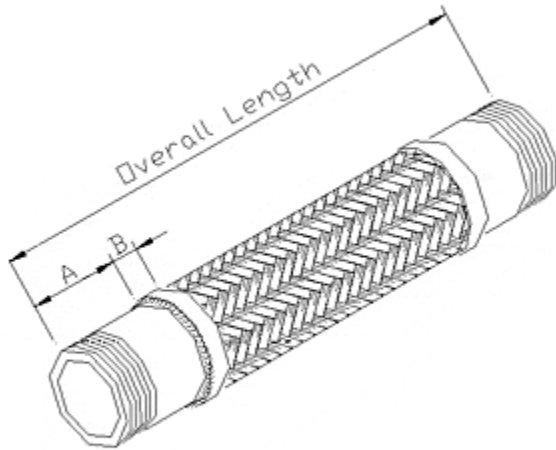


Product Name : Flexible Metal Hose



1. Industry pump connector lengths are not recommended, but supplied on demand. 304 SS can be used up to 850°F(454°C) in applications such as engine exhaust.

2. The maximum test pressure is 1.5 times the maximum operating pressure.

3. Minimum burst is four times the rated pressure safety factor of 4.

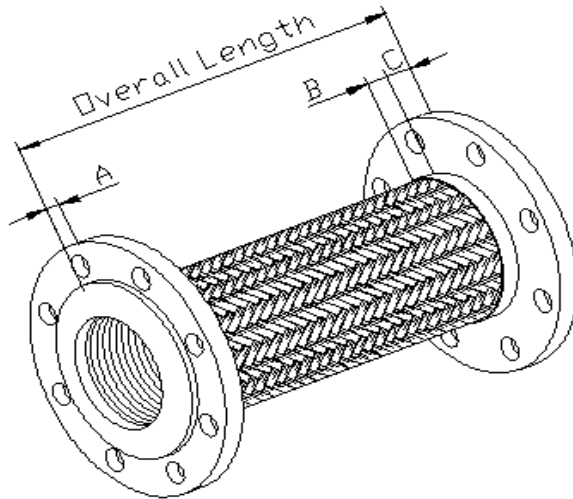
4. Test temperature 21°D

Description	Materials
Hose	304 SS
Hose Braid	304 SS
Braid Band	304 SS
Mole pipe Thread	S.S/C.S SCH40

* Male pipe Thread-NPT or BSP

Model Number	Pipe Size (IN)	A (IN)	Overall Length(IN)	B (IN)	Pressures(PIS)@70F	
					Operating	Test
MN1/2x6-1/2	1/2	1-1/2	6-1/2	5/8	1100	1650
MN1/2x12	1/2	1-1/2	12	5/8	1100	1650
MN1/2x18	1/2	1-1/2	18	5/8	1100	1650
MN1/2x24	1/2	1-1/2	24	5/8	1100	1650
MN3/4x7	3/4	1-1/2	7	5/8	700	1050
MN3/4x12	3/4	1-1/2	12	5/8	700	1050
MN3/4x18	3/4	1-1/2	18	5/8	700	1050
MN3/4x24	3/4	1-1/2	24	5/8	700	1050
MN1x8	1	1-3/4	8	5/8	580	870
MN1x12	1	1-3/4	12	5/8	580	870
MN1x18	1	1-3/4	18	5/8	580	870
MN1x24	1	1-3/4	24	5/8	580	870
MN1-1/4x8-1/2	1-1/4	2	8-1/2	5/8	500	750
MN1-1/4x12	1-1/4	2	12	5/8	500	750
MN1-1/4x18	1-1/4	2	18	5/8	500	750
MN1-1/4x24	1-1/4	2	24	5/8	500	750

Model Number	Pipe Size (IN)	A (IN)	Overall Length(IN)	B (IN)	Pressures(PIS)@70F	
					Operating	Test
MN1-1/2x9	1-1/2	2	9	5/8	430	645
MN1-1/2x12	1-1/2	2	12	5/8	430	645
MN1-1/2x18	1-1/2	2	18	5/8	430	645
MN1-1/2x24	1-1/2	2	24	5/8	430	645
MN2x10-1/2	2	2	10-1/2	1	360	540
MN2x12	2	2	12	1	360	540
MN2x18	2	2	18	1	360	540
MN2x24	2	2	24	1	360	540
MN2-1/2x12	2-1/2	2-1/2	12	1	290	435
MN2-1/2x18	2-1/2	2-1/2	18	1	290	435
MN2-1/2x24	2-1/2	2-1/2	24	1	290	435
MN3x12	3	2-1/2	12	1	280	420
MN3x18	3	2-1/2	18	1	280	420
MN3x24	3	2-1/2	24	1	280	420
MN4x12	4	2-1/2	12	1	230	345
MN4x18	4	2-1/2	18	1	230	345
MN4x24	4	2-1/2	24	1	230	345



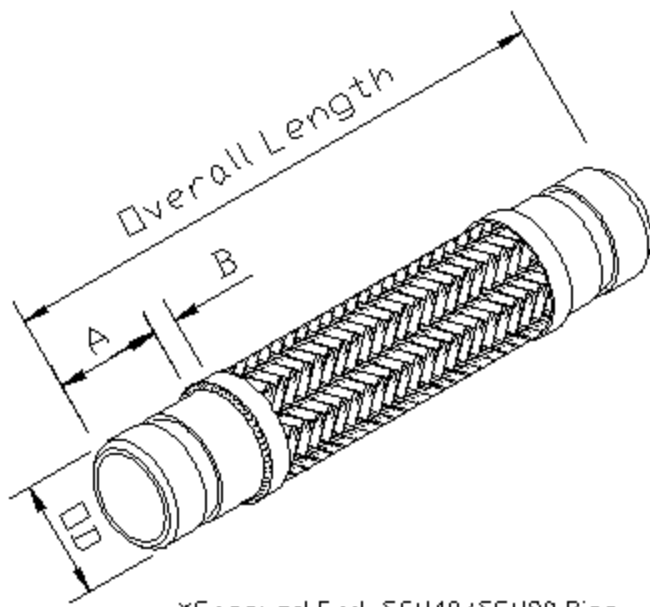
Description	Materials
Hose	304 SS
Hose Braid	304 SS
Braid Bond	304 SS
Flange 150#	C.S/304 SS

*Flange-150#,300#,PN6,PN10,PN16,PN25

*Flange Materials-SS 304,SS 316,Carbon Steel

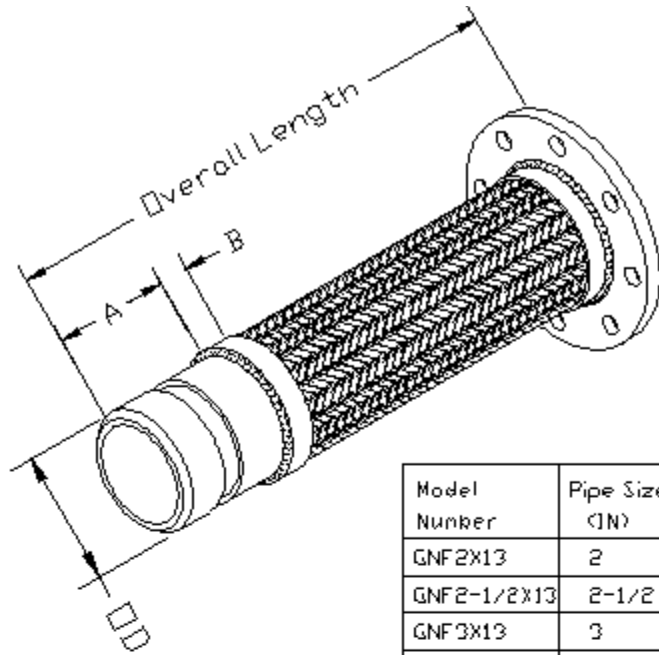
Model Number	Pipe Size (IN)	A (IN)	Overall Length(IN)	B (IN)	C (IN)	Pressures(PIS)@70F	
						Operating	Test
FFL1-1/2x9	1-1/2	1/4	9	5/8	5/8	430	645
FFL1-1/2x12	1-1/2	1/4	12	5/8	5/8	430	645
FFL1-1/2x18	1-1/2	1/4	18	5/8	5/8	430	645
FFL1-1/2x24	1-1/2	1/4	24	5/8	5/8	430	645
FFL2x9	2	1/4	9	1	5/8	360	540
FFL2x12	2	1/4	12	1	5/8	360	540
FFL2x18	2	1/4	18	1	5/8	360	540
FFL2x24	2	1/4	24	1	5/8	360	540
FFL2-1/2x9	2-1/2	1/4	9	1	5/8	290	435
FFL2-1/2x12	2-1/2	1/4	12	1	5/8	290	435
FFL2-1/2x18	2-1/2	1/4	18	1	5/8	290	435
FFL2-1/2x24	2-1/2	1/4	24	1	5/8	290	435
FFL3x9	3	1/4	9	1	5/8	280	420
FFL3x12	3	1/4	12	1	5/8	280	420
FFL3x18	3	1/4	18	1	5/8	280	420
FFL3x24	3	1/4	24	1	5/8	280	420
FFL4x9	4	1/4	9	1	5/8	230	345
FFL4x12	4	1/4	12	1	5/8	230	345
FFL4x18	4	1/4	18	1	5/8	230	345
FFL4x24	4	1/4	24	1	5/8	230	345

Model Number	Pipe Size (IN)	A (IN)	Overall Length(IN)	B (IN)	C (IN)	Pressures(PIS)@70F	
						Operating	Test
FFL5x12	5	3/8	12	1	1	200	300
FFL5x18	5	3/8	18	1	1	200	300
FFL5x24	5	3/8	24	1	1	200	300
FFL5x30	5	3/8	30	1	1	200	300
FFL6x12	6	3/8	12	1	1	200	300
FFL6x18	6	3/8	18	1	1	200	300
FFL6x24	6	3/8	24	1	1	200	300
FFL6x30	6	3/8	30	1	1	200	300
FFL8x12	8	3/8	12	1	1	180	270
FFL8x18	8	3/8	18	1	1	180	270
FFL8x24	8	3/8	24	1	1	180	270
FFL8x36	8	3/8	36	1	1	180	270
FFL10x12	10	3/8	12	1	1	170	255
FFL10x18	10	3/8	18	1	1	170	255
FFL10x24	10	3/8	24	1	1	170	255
FFL10x36	10	3/8	36	1	1	170	255
FFL12x14	12	3/8	14	1	1	170	255
FFL12x18	12	3/8	18	1	1	170	255
FFL12x24	12	3/8	24	1	1	170	255
FFL14x14	14	3/8	14	1	1	170	255
FFL14x30	14	3/8	30	1	1	170	255



Description	Materials
Hose	304 SS
Hose Braid	304 SS
Braid Band	304 SS
Grooved End	C.S./304 SS

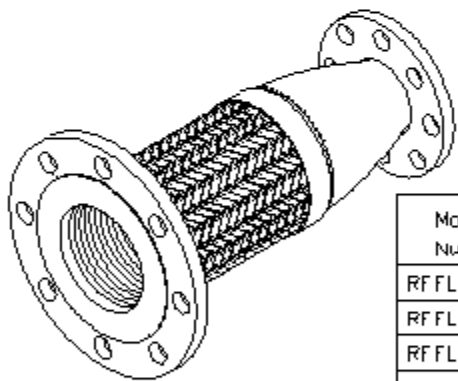
Model Number	Pipe Size (DN)	A (DN)	Overall Length (DN)	B (DN)	OD (DN)	Pressure (PSI) (70°F)	
						Operating	Test
GN2x14	2	2	14	1	2.375	360	540
GN2-1/2x14	2-1/2	2	14	1	2.975	290	435
GN3x14	3	2	14	1	3.5	280	420
GN4x18	4	3	18	1	4.5	270	405
GN5x23	5	3	20	1	5.563	200	300
GN6x25	6	3	22	1	6.625	200	300
GN8x27	8	3	24	1	8.625	180	270
GN10x31	10	4	28	1	10.75	170	255
GN12x32	12	4	30	1	12.75	170	255



Description	Materials
Hose	304 SS
Hose Braid	304 SS
Braid Band	304 SS
Flange	C.S/304 SS
Grooved End	C.S/304 SS

*Flange-150#,300#,PN6,PN10,PN16,PN25
 *Flange Materials-SS 304,SS 316,Carbon Steel
 *Grooved End-SCH40/SCH80 Pipe

Model Number	Pipe Size (IN)	A (IN)	Overall Length(IN)	B (IN)	OD (IN)	Pressures(PIS)@70F	
						Operating	Test
GNF2X13	2	2	13	1	2.375	360	540
GNF2-1/2X13	2-1/2	2	13	1	2.875	290	435
GNF3X13	3	2	13	1	3.5	280	420
GNF4X16	4	3	16	1	4.5	230	345
GNF5X21	5	3	18	1	5.563	200	300
GNF6X23	6	3	20	1	6.625	200	300
GNF8X25	8	3	22	1	8.625	180	270
GNF10X28	10	4	25	1	10.75	170	255
GNF12X29	12	4	27	1	12.75	170	255



Hose	304 SS
Hose Braid	304 SS
Braid Band	304 SS
Flange 150#	C.S/304 SS
Reducer	C.S/304 SS

*Flange-150#,300#,PN6,PN10,PN16,PN25.
 *Flange Materials-SS 304,SS 316,Carbon Steel.
 *Reducer-SCH40/SCH80 Pipe

Model Number	Large End & Hose Size	Reducer End Size	A (IN)	Overall Length(IN)	B (IN)	Pressures(PIS)@70F	
						Operating	Test
RFFL12X10	12"	10"	8	22	1	170	255
RFFL10X08	10"	8"	7	20	1	170	255
RFFL10X06	10"	6"	7	20	1	170	255
RFFL8X6	8"	6"	6	18	1	180	270
RFFL8X5	8"	5"	6	18	1	180	270
RFFL8X4	8"	4"	6	18	1	180	270
RFFL6X5	6"	5"	5-1/2	18	1	200	300
RFFL6X4	6"	4"	5-1/2	18	1	200	300
RFFL6X3	6"	3"	5-1/2	18	1	200	300
RFFL6X2-1/2	6"	2-1/2"	5-1/2	18	1	200	300
RFFL5X4	5"	4"	5	17	1	200	300
RFFL5X3	5"	3"	5	17	1	200	300
RFFL5X2-1/2	5"	2-1/2"	5	17	1	200	300
RFFL4X3	4"	3"	4	14	1	230	345
RFFL4X2-1/2	4"	2-1/2"	4	14	1	230	345
RFFL4X2	4"	2"	4	14	1	230	345
RFFL3X2-1/2	3"	2-1/2"	3-1/2	14	1	280	420
RFFL3X2	3"	2"	3-1/2	14	1	280	370
RFFL2-1/2X2	2-1/2"	2"	3-1/2	14	1	290	435

